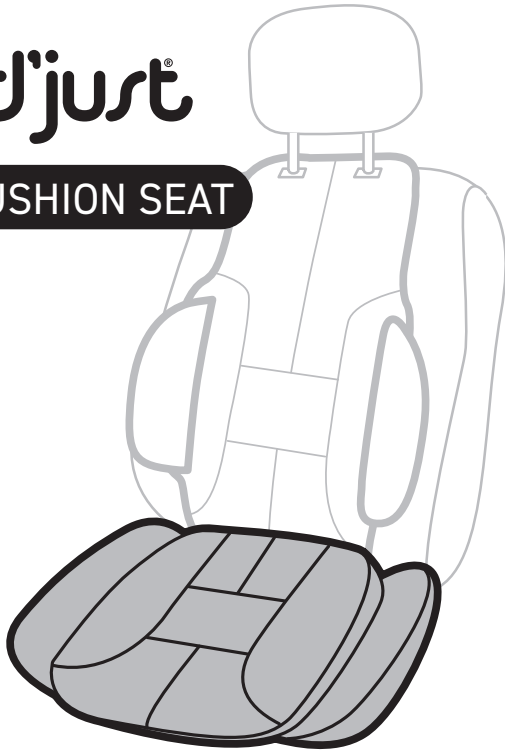


ad'just®

CUSHION SEAT



**Ad'just cushion seat**

The solution to back pain in the car

The ad'just seat cushion is recommended if your seat is tilted too far back.

The Ad'just cushion opens the angle between the torso and legs and releases tension in the lower back (detachable part at the tailbone to alleviate pressure). Stabilizing side cushions prevent the pelvis from tilting. Very harmful swaying left and right in turns !

Its firm, resilient foam absorbs vibrations.

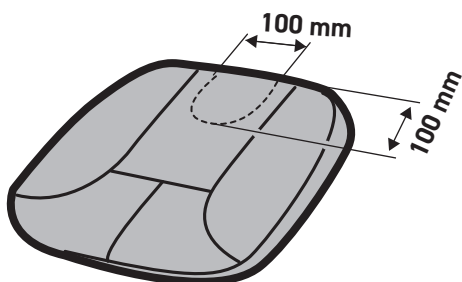
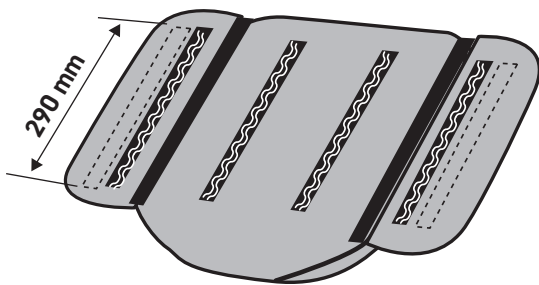
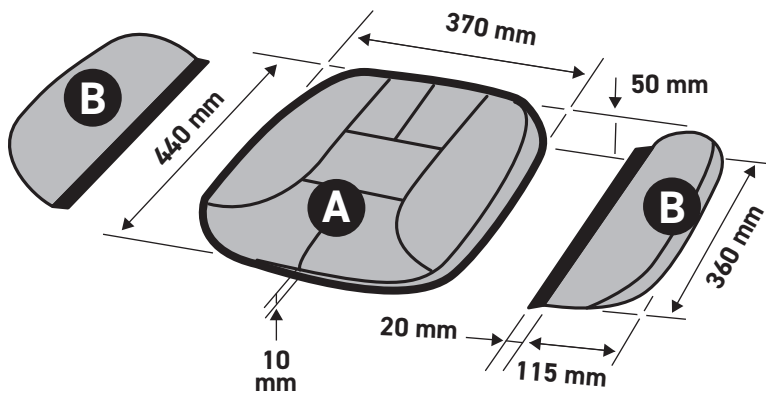
It is provided with anti-dérappantes bands silicone. A back strap secures it to the lumbar cushion.

**DIMENSIONS**

See below

**MATERIALS**

- Quality materials selected for their technical capacity
- Fabric in contact with the user: "3D honeycomb polyester" mesh (dry / absorbent / aesthetic)
- Grip fabric: polyamide mesh (velvety, very sturdy appearance)
- Foam in the back piece: high resilience polyurethane (8 mm thick)
- Membrane / tube / pump: latex and PVC
- Ergonomic cushion padding: Expanded polystyrene microbeads
- Composition, washing and serial number labels



**EMBALLAGE**

Clear plastic bag.

Dimensions, h x l x L cm (approx) :

Weight :

**A + B 580 gr**

**A 440 gr**

**B 140 gr**

**MAINTENANCE**

Hand washable, removable covers.

**2- YEAR WARRANTY**

Patent and trademark filed ®



contact@adjust.fr

www.adjust.fr

adjust sas : 92 route de Jallieu | 38080 Saint Marcel Bel Accueil | France