



LUMBAR CUSHION

ad'just lumbar cushion

The solution to back pain in the car.

A car seat should accommodate all body types. Whether you are short or tall, thin or strong, the seats are the same for everyone. They are not custom made and do not take care of your back. The ad'just lumbar cushion adapts the seat to your body shape, supports your body in line with the road and supports your lumbar arch.

THREE COMPONENTS

- (A) the back piece
- (B) a set of two ergonomic cushions right and left
- (C) an inflatable lumbar support and its inflator

DIMENSIONS

See below

MATERIALS

- Selected quality materials for their technical ability
- Contact fabric: "honeycomb" mesh in 3D polyester (dry / absorbent / aesthetic)
- Grip fabric: polyamide mesh (velvet appearance / very resistant)
- Back piece foam: high resilience polyurethane (thickness 8mm)
- membrane / tube / inflator: Latex and PVC
- ergonomic cushion padding: EPS microbeads
- Composition, maintenance and serial number labels

PACKAGING

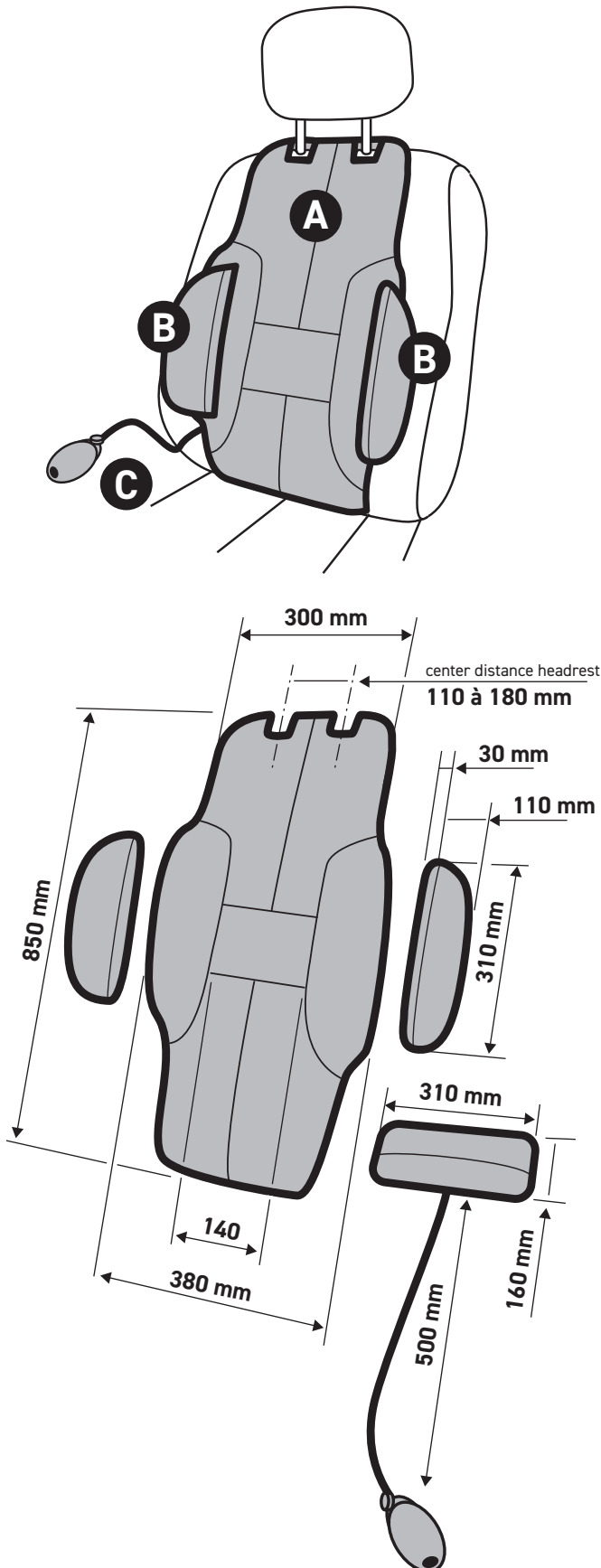
Transparent plastic bag with zip closure.
 Dimensions: H 8 x W 27 x L 40 cm (approximately)
 Weight: 600 g

CLEANING

Hand washable. Ergonomic cushions and membrane removable covers. Be careful not to bring the hook velcros with 3D fabric.

2 YEARS WARRANTY

Patent and trademark registered ®



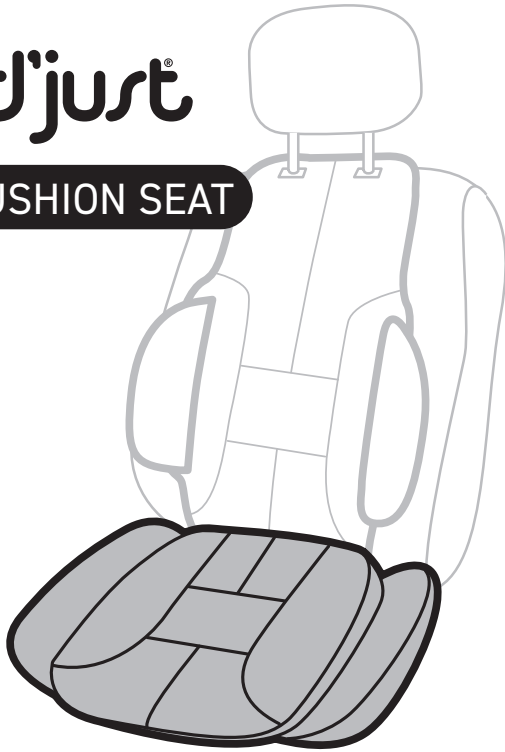
contact@adjust.fr

www.adjust.fr

adjust sas : 92 route de Jallieu | 38080 Saint Marcel Bel Accueil | France

ad'just®

CUSHION SEAT



Ad'just cushion seat

The solution to back pain in the car

The ad'just seat cushion is recommended if your seat is tilted too far back.

The Ad'just cushion opens the angle between the torso and legs and releases tension in the lower back (detachable part at the tailbone to alleviate pressure). Stabilizing side cushions prevent the pelvis from tilting. Very harmful swaying left and right in turns !

Its firm, resilient foam absorbs vibrations.

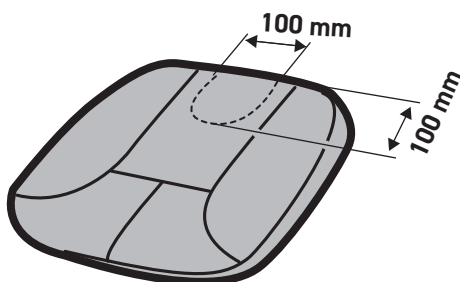
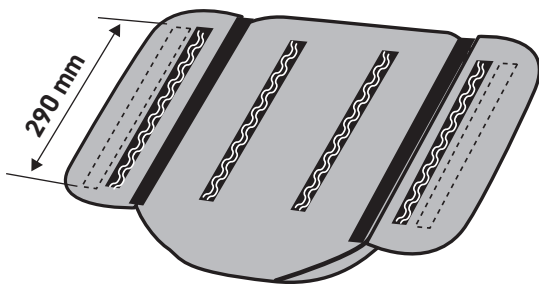
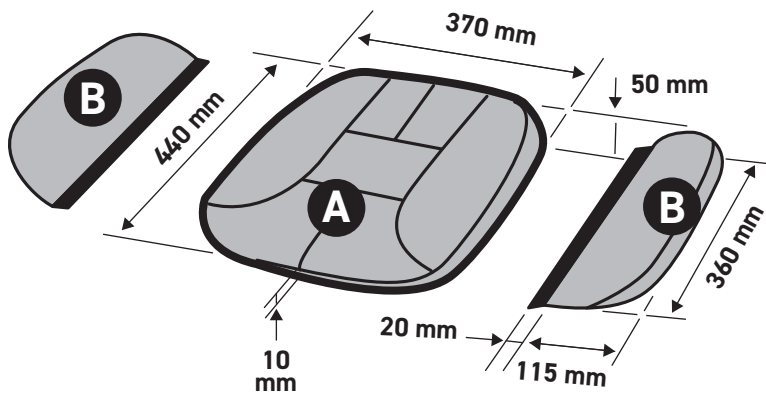
It is provided with anti-dérappantes bands silicone. A back strap secures it to the lumbar cushion.

DIMENSIONS

See below

MATERIALS

- Quality materials selected for their technical capacity
- Fabric in contact with the user: "3D honeycomb polyester" mesh (dry / absorbent / aesthetic)
- Grip fabric: polyamide mesh (velvety, very sturdy appearance)
- Foam in the back piece: high resilience polyurethane (8 mm thick)
- Membrane / tube / pump: latex and PVC
- Ergonomic cushion padding: Expanded polystyrene microbeads
- Composition, washing and serial number labels



EMBALLAGE

Clear plastic bag.

Dimensions, h x l x L cm (approx) :

Weight :

A + B 580 gr

A 440 gr

B 140 gr

MAINTENANCE

Hand washable, removable covers.

2- YEAR WARRANTY

Patent and trademark filed ®



contact@adjust.fr

www.adjust.fr

adjust sas : 92 route de Jallieu | 38080 Saint Marcel Bel Accueil | France